



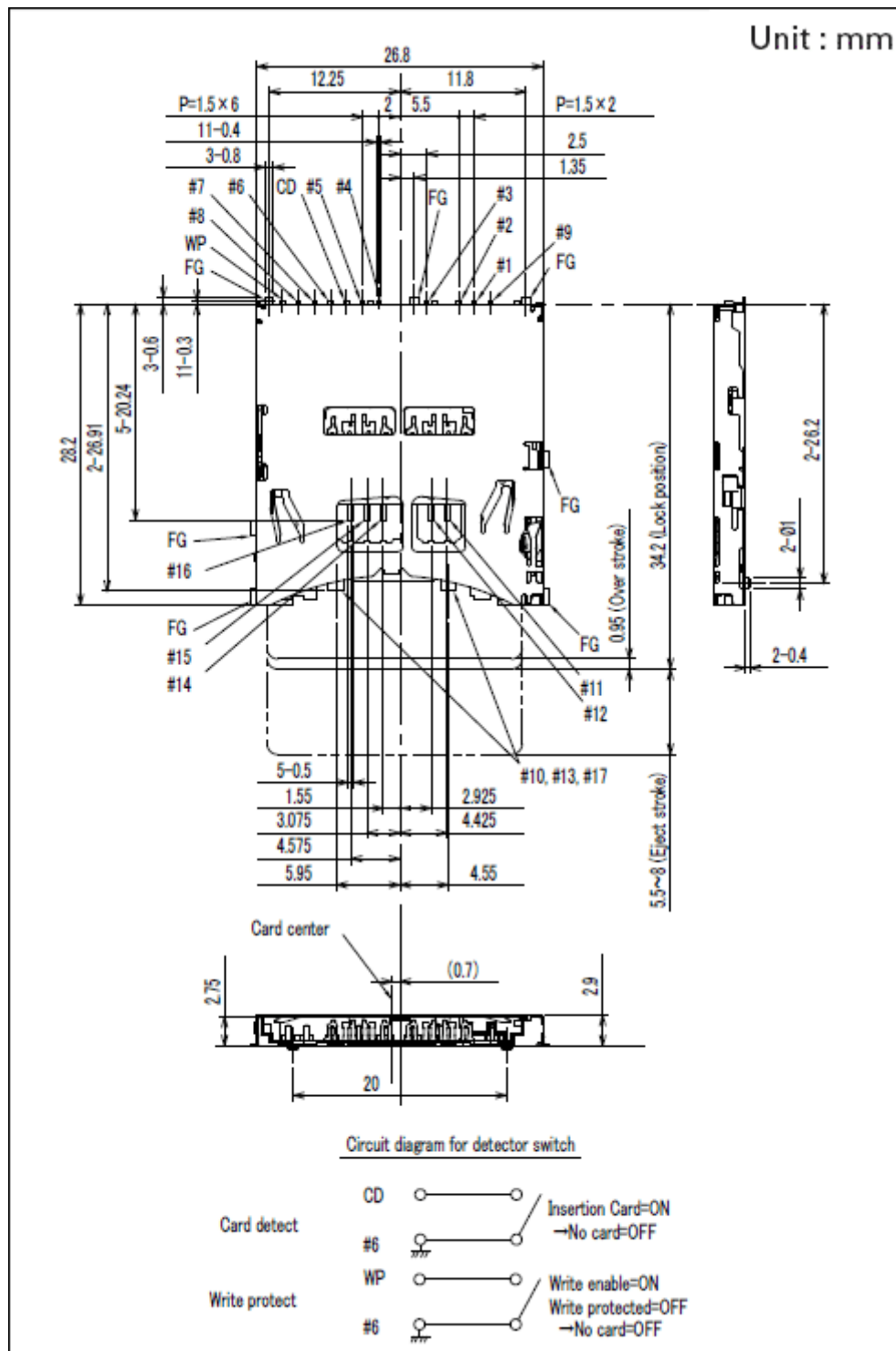
## For SD Memory Card SCDA Series

Part number	<b>SCDACA0200</b>	
Applicable media	SD Memory Card (For UHS-II) MultiMediaCard™	
Media ejection structure	Push-push type	
Mounting type	Surface mounting type	
Mounting style	Standard mount	
Features	Outer tail	
Stand-off	0mm	
Minimum order unit (pcs.)	300	
Operating temperature range	-25°C to +60°C	
Voltage proof	100V AC 1 minute	
Insulation resistance (Initial)	1,000MΩ min.	
Contact resistance (Initial)	Connector contacts	100mΩ max.
	Detection Switch	500mΩ max.
Insertion and removal cycle	10,000 cycles	

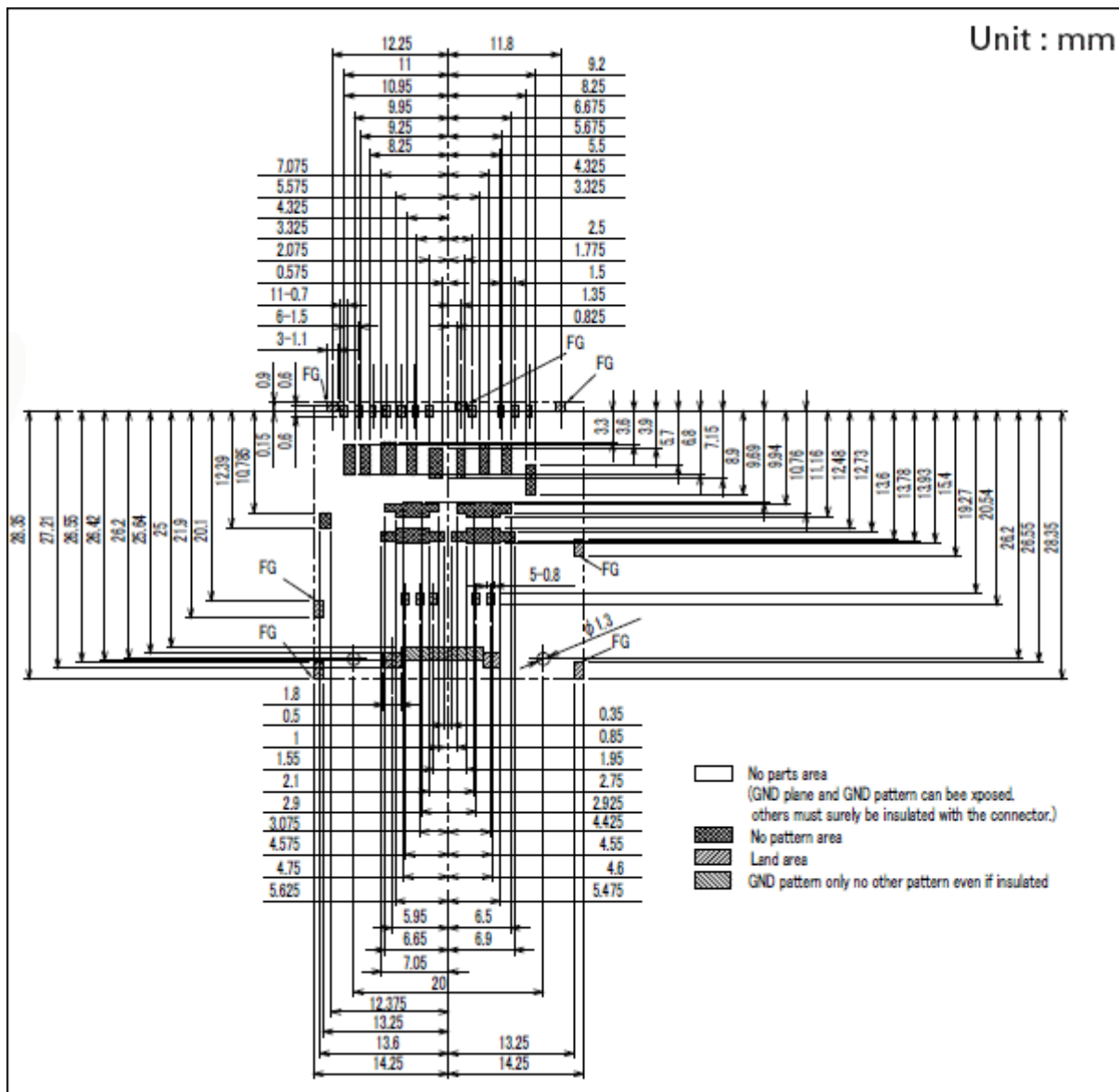
### Photo



## Dimensions

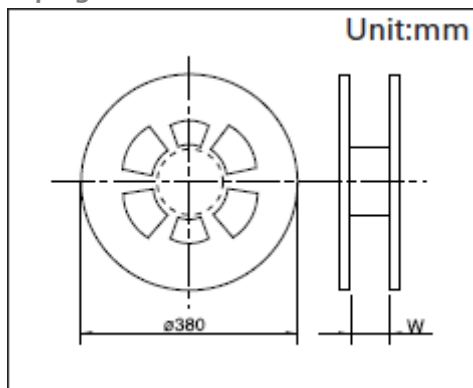


### Mounting Dimensions



### Packing Specifications

#### Taping



Number of packages 1 reel (pcs.)	300
1 case / Japan	600
1 case / export	1,200

packing

---

Tape width (mm)	44
Export package measurements (mm)	403×403×249

---

## Soldering Conditions

### Example of Reflow Soldering Condition (Reference)

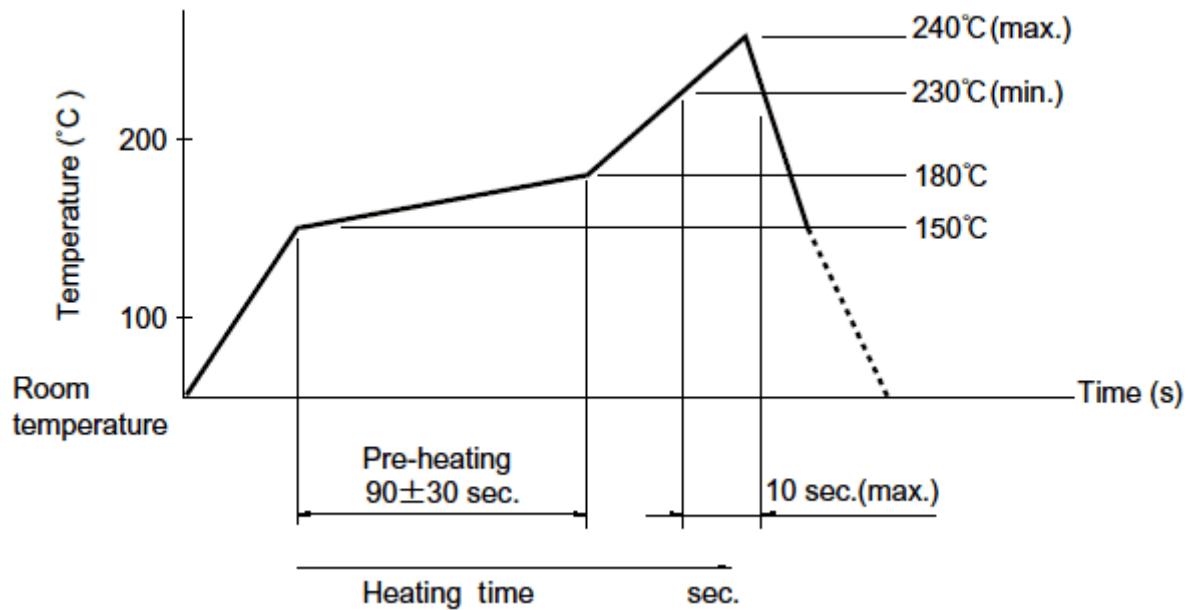
#### 1. Heating method

Double heating method with infrared heater.

#### 2. Temperature measurement

Thermocouple 0.1 to 0.2 Φ CA (K) or CC (T) at soldering portion.

#### 3. Temperature profile.



Notes are common to this series/models.

1. This site catalog shows only outline specifications. When using the products, please obtain formal specifications for supply.
2. Please place purchase orders per minimum order unit (integer).